

# Sheng Hsiung Safety Equipment Co., Ltd

No.32 Lane 149, Chenggong Rd., Lugang, Changhua County 505, Taiwan (R.O.C.)

Tel. : +886-4-7768091 Fax. : +886-4-7777511 E-mail : sh.safety@msa.hinet.net

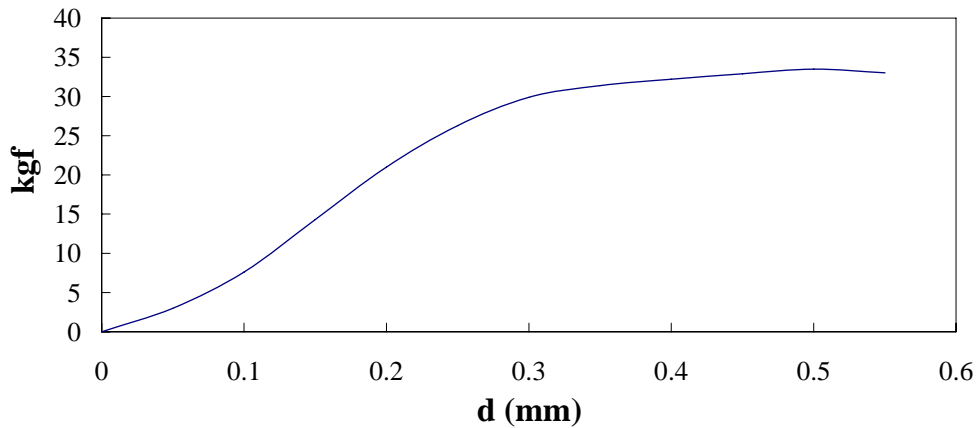
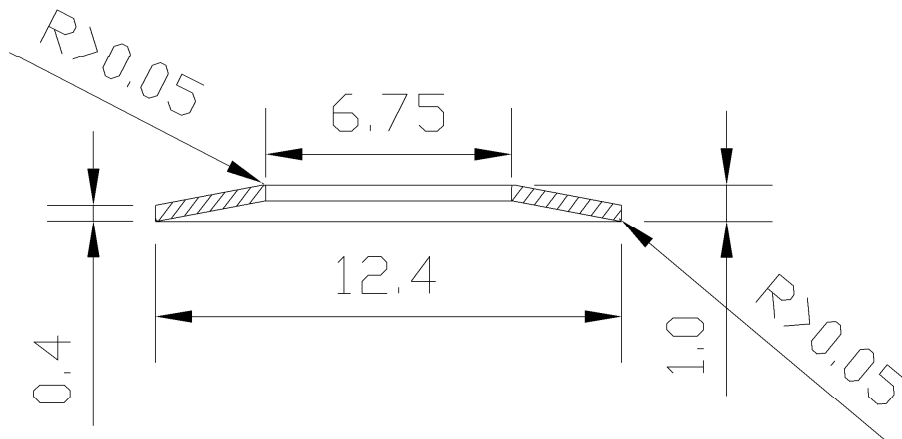
## SH SPRING SEAL : TYPE 86 B , TEFLON COATED

■ Material : stainless steel t=0.4mm

■ Dimension : 6.75x12.4x1.0mm

5.20x13.6 mm(with TEFLON COATED : 0.08mm)

■ Load capacity : > 30 kgf



**Load Capacity Chart**